



Innovative Technology

POWERING TRANSACTIONS AND INTERACTIONS

NV9 Spectral

"The most technically advanced note validator in its class"



Spectral
NV9

- Full note high resolution imaging - 1.28 million data points
- Faster note to note processing
- Optical and mechanical anti-strimming technology
- Modular design – recycler or ticket printer available



FEATURES

- Full note high resolution imaging - 1.28 million datapoints
- Fast note to note processing
- Optical & mechanical anti-strimming technology
- Various cashbox and bezel options
- Modular design - recycler or ticket printer available
- Easy maintenance, free firmware updates



BENEFITS

- Unrivalled genuine note detection & protection against fraudulent notes
- Speeds up transaction time & operator profitability
- Outstanding fraud protection
- Versatile validator, suitable for all applications
- Ability to add note recycling or ticketing
- Future proof – quick & easy updates via USB, PC or handheld programmer



Innovative Technology

POWERING TRANSACTIONS AND INTERACTIONS

Technical Specification

Power

Requirements: 12 /24 V

Standby: 0.2A

Running: 1A

Peak: 2.5A

Interfaces

USB option

Open collector

Protocols

SSP

ccTalk

Bezel Options

66/69/82mm width

Rainbow illumination

Horizontal

Vertical up/down

Various snout options

Cashbox Options

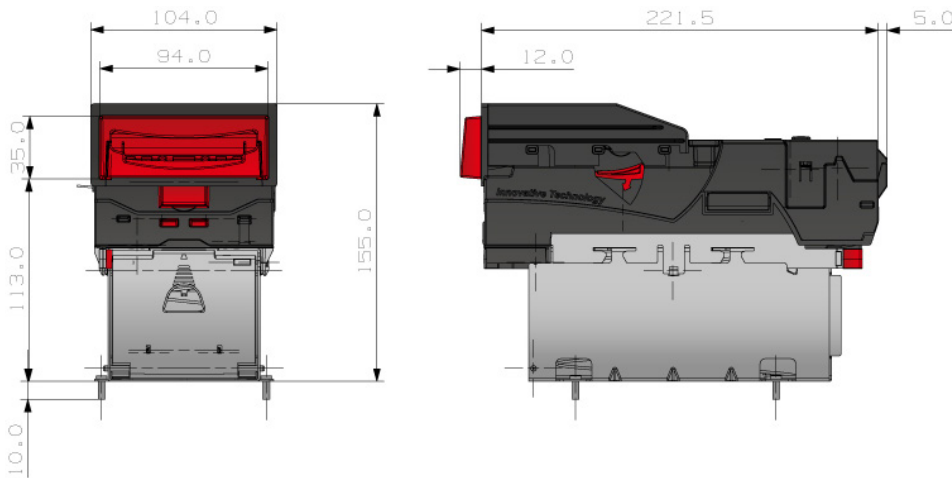
300/600 slide

300/600 clip

300 lockable

MCBF

200,000



- Weight: 1.4kg

**VIEW MORE
NOTE HANDLING
PRODUCTS >>**



Find Us

Head Office

Innovative Technology Ltd (UK)

Innovative Business Park

Derker Street

Oldham

OL1 4EQ



Telephone

+44 (0) 161 626 9999



Email

sales@innovative-technology.com